



# Skylights

Product Brochure

[keyliteskylights.com.au](http://keyliteskylights.com.au)

**BUILT FOR  
AUSTRALIA** 



## All Keylite Skylights come with a 10 Year Warranty

Terms & Conditions apply. Full terms available at: [keyliteskylights.com.au/general/terms/](https://keyliteskylights.com.au/general/terms/)



**Australian Standards**

AS4285 / AS1288 / AS3959

# CONTENTS

05

## **BUILT FOR AUSTRALIA**

Energy Efficient Natural Lighting  
Kill The Heat, Not The Daylight  
Designed For Efficiency  
Fast Easy Fitting

12

## **PRODUCT RANGE**

Fixed Skylight  
Manual Skylight  
Electric Skylight  
Solar Skylight

17

## **FLASHINGS AND ACCESSORIES**

Pitched Roof Flashing  
Flat Roof Flashing  
Skylight Control Rod  
Stainless Steel Mesh

18

## **SOLAR BLINDS**

Solar Blinds Features  
Colour Range

20

## **LOFT LADDER**

Loft Ladders

22

## **SIZE RANGE CHART**

Skylights Size Range

**BUILT FOR  
AUSTRALIA**







**THE BEST IN  
EUROPEAN SKYLIGHTS,  
NOW BUILT  
FOR AUSTRALIA**

### Energy Efficient Natural Lighting

As a leader in the skylight industry in Europe, at Keylite we know that choosing the right skylight will have a major impact on comfort and energy efficiency in your home.

Keylite now offer a range of high performance skylights and accessories specifically designed to suit Australia's harsh climate.

Our next generation skylight range is designed and certified for extreme Australian conditions and incorporates the latest in Keylite's unique performance boosting technologies.

Keylite's high performance skylights are designed to let you enjoy the benefits of one of our greatest natural resources – sunlight.

Built and tested to withstand the extremes of the Australian climate, our skylights provide energy efficient natural lighting and ventilation across all seasons.



**Australian  
Standards**

AS4285 / AS1288 / AS3959



**HEAT**



**COLD**



**WIND**



**RAIN**



**NOISE**



**FIRE**

**keylite** 

# KILL THE HEAT NOT THE DAYLIGHT

## Glazing Performance

<b>UV</b>	Transmittance	tuv	<b>0.01</b>
<b>Light</b>	Transmittance	tv	<b>0.50</b>
<b>Energy</b>	Solar Heat Gain Coefficient (SHGC)	g	<b>0.24</b>
<b>Thermal Properties</b>	Thermal Conductance (U-Value) [W/(m <sup>2</sup> .K)]	Ug	<b>1.00</b>
<b>Sound</b>	Noice Reduction Factor	dB	<b>36.00</b>



**Australian  
Standards**

AS4285 / AS1288 / AS3959

## High Performance Features

Keylite's high performance double glazing incorporates an Argon gas filled void and Low E coating to let the maximum light in while blocking 80% of external heat, preventing its transfer through the glass into your home, providing year round comfort.



### 80% Heat Block

Boosts comfort and energy efficiency.



### 99% UV Protection

Protects your home furnishings from fading.



### 36db Noise Barrier

Reduces intrusive noise by 36db.



### Self-Clean Coating

Reduces the need for cleaning and prevents water spotting.

## Key Features

- Warm Edge Spacer
- 1 Self Clean Coating
- 2 4mm Toughened Outer Pane
- 3 Low E Coating
- 4 6.38mm Laminated Inner Pane
- 18mm Argon Gas Filled Cavity



# DESIGNED FOR EFFICIENCY

Keylite Skylights are designed to maximise energy efficiency in both summer and winter - helping you control heating, cooling, lighting and ventilation costs.

## Summer



- Skylight glazing blocks 80% of heat transfer.
- Built in thermal collar increases protection against heat gain.
- Opening skylights provide ventilation and the ability to remove heat.
- Thermal blind option gives added heat block.

## Winter



- Glazing U-Value 1.0 W/(m<sup>2</sup>.K).
- Excellent glazing insulation reduces heat loss.
- Warm edge spacer increases energy efficiency.
- Built in thermal collar reduces heat loss.
- Level 4 air tightness rating (AS4055).



Weatherproof  
Aluminium Cappings

Warm Edge  
Spacer

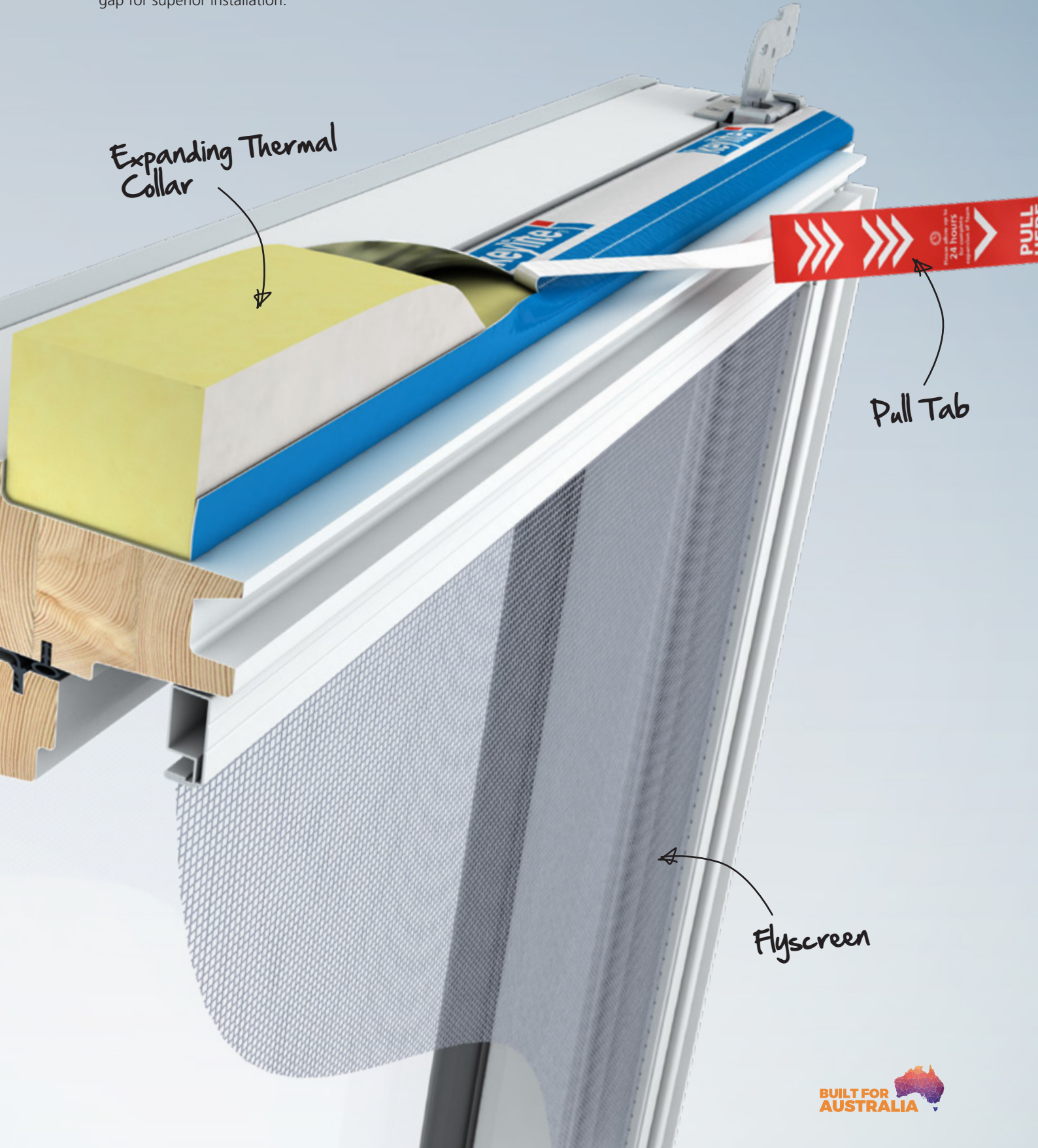




## Expanding Thermal Collar

Our unique expanding thermal collar is built into the frame of every Keylite skylight and roof window. The collar expands to fill the gap between the frame and the roof timbers, providing an effective insulation barrier against heat loss or gain, depending on the season.

The collar is easily activated by the installer following installation by simply pulling the release tapes which causes the foam collar to expand within the gap for superior installation.



# BAL 40

Like no other Skylight on the Australian market, Keylite will outperform even in the toughest of environments.

Bushfire Attack Level (BAL) ratings are the basis for establishing the requirements for construction (Australian Standard AS 3959-2009 Construction of Buildings in Bushfire Prone Areas), to improve protection of building elements from bushfire attack.

All Keylite Skylights have been designed and tested to achieve a BAL 40 rating. To achieve this rating, Keylite had to undergo rigorous and independent testing conducted by CSIRO.

As the Australian climate gets hotter and the fact that bushfires are becoming more prevalent in residential areas of Australia, its important that the right choice is made when designing and building your project.



# FAST EASY FITTING



Our Flick-Fit brackets are pre-fitted to our skylights and windows, making them fast and easy to secure into the prepared roof opening.

Further unique Keylite innovations will assist you to complete the subsequent flashing and installation process.

1. **Flick** the pre-fitted brackets at the bottom of the window into place, selecting the setting for the roof tile.
2. **Position** the window in the prepared roof opening, resting the Flick-Fit brackets on the bottom batten. A projecting spur on the bracket ensures the window is set at the correct distance.
3. **Pivot** the window through the roof opening and **flick** the top brackets into place, selecting the setting for the roof tile. Secure the window with screws provided.



# PRODUCT RANGE

Everyone enjoys a clear view of the sky from inside their home but not every skylight offers the same level of protection against the discomfort of excessive heat gain.

Keylite however has practical natural lighting solutions with 80% heat blocking properties for comfortable living in every room.

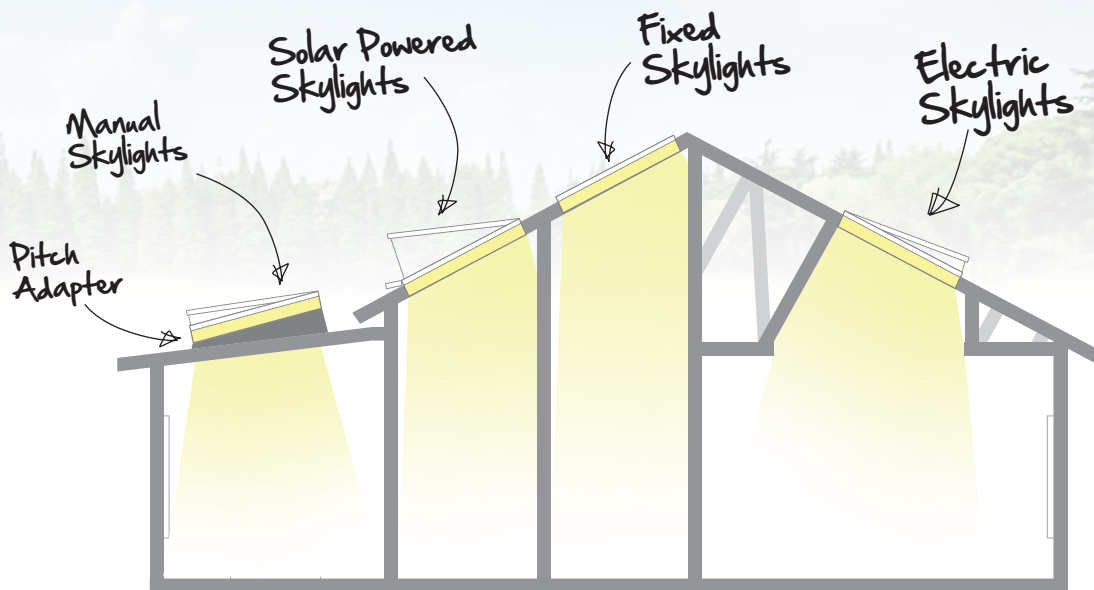
Keylite's skylight glazing also gives excellent protection from damaging UV radiation which causes furnishings to fade, plus it acts as an acoustic barrier insulating your home against intrusive external noise.

By utilizing the latest in materials and manufacturing technology we lock in lasting performance and give a 10 year warranty on our skylights.

Our high performance roof windows come in a wide range of standard sizes and can be either fixed or opening units.

With Keylite opening roof windows, manual, electric or solar powered options are available across the range.

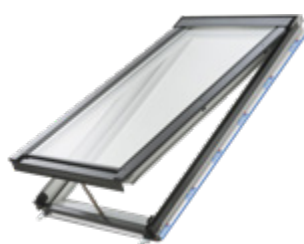
All Keylite roof windows come with a standard tile roof flashing supplied with each unit.



**Fixed Skylights**

Natural daylight with Low-E glazing.

See Page 13



**Manual Skylights**

Manual handle winder or rod control operation.

See Page 14



**Electric Skylights**

Remote control of daylight & ventilation.

See Page 15



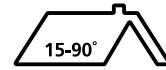
**Solar Skylights**

Remote control of daylight & ventilation.

See Page 16

# Fixed Skylight

RWF



See the sky and experience natural daylight in your home with a fixed skylight.

The Low-E glazing provides 80% heat block for comfort and protection against UV fading of furnishings.

### Features

- Fixed skylight.
- Bright white interior finish, painted timber frame.
- Weather proof, grey exterior aluminium capping.
- Heat blocking Low-E, laminated double glazing as standard.
- Energy efficient glazing and unique thermal collar.
- Flick-fit brackets for easy installation
- Streamlined low profile appearance in the roof.
- Flashing included for tile.

**NATURAL DAYLIGHT WITH LOW-E GLAZING**



- Standard tile roof flashing included as standard.
- Expanding Thermal Collar included as standard.

### Blind Option

- Solar powered blinds range.

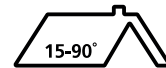


Size Code	01S	02	01C	01F	04	05	06	08S	08
Size WxH (mm)	550x700	550x980	550x1180	550x1400	780x980	780x1180	780x1400	1140x700	1140x1180
RWF	RWF 01S	RWF 02	RWF 01C	RWF 01F	RWF 04	RWF 05	RWF 06	RWF 08S	RWF 08



# Manual Skylight

RWM



See the sky and experience natural daylight and ventilation in your home with the manual opening skylight. The Low-E glazing provides 80% heat block for comfort and protection against UV fading of furnishings.

## Features

- Bright white interior finish, painted timber frame and sash.
- Weather proof, grey exterior aluminium capping.
- Window opened manually by winding handle.
- Heat blocking Low-E, laminated double glazing as standard.
- Energy efficient glazing and unique thermal collar.
- Flick-fit brackets for easy installation.
- Streamlined low profile appearance in the roof.
- Flashing included for tile.
- Removable Flyscreen as standard.

**MAXIMISE DAYLIGHT & NATURAL VENTILATION**



### Control Options

- Winding Handle (within reach). 
- Short extension rod – 70cm. 
- Telescopic rod – Extends from 170cm – 285cm. 

### Blind Option

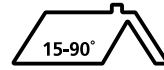
- Solar powered blinds range.
- Stainless steel mesh for areas prone to bush fires.



Size Code	01S	02	01C	01F	04	05	06	08S	08
Size WxH (mm)	550x700	550x980	550x1180	550x1400	780x980	780x1180	780x1400	1140x700	1140x1180
RWM	RWM 01S	RWM 02	RWM 01C	RWM 01F	RWM 04	RWM 05	RWM 06	RWM 08S	RWM 08

# Electric Skylight

RWE



See the sky and gain fingertip control of natural daylight and ventilation with an electric powered skylight.

The Low-E glazing provides 80% heat block for comfort and protection against UV fading in your home.

### Features

- Hand held remote control for the skylight's opening.
- Rain sensor closes the skylight automatically.
- Bright white interior finish, painted timber frame and sash.
- Weather proof, grey exterior aluminium capping.
- Heat blocking Low-E, laminated double glazing as standard.
- Energy efficient glazing and unique thermal collar.
- Flick-fit brackets for easy installation.
- Streamlined low profile appearance in the roof.
- Flashing included for tile.
- Removable Flyscreen as standard.
- 8 meter lead (supplied) plugs into power point.



## REMOTE CONTROL OF DAYLIGHT & VENTILATION



### Remote Control System

- Programmable remote can control a single or multiple skylights.



### Blind Option

- Solar powered blinds range.
- Stainless steel mesh for areas prone to bush fires.

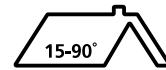


Size Code	01S	02	01C	01F	04	05	06	08S	08
Size WxH (mm)	550x700	550x980	550x1180	550x1400	780x980	780x1180	780x1400	1140x700	1140x1180
RWE	RWE 01S	RWE 02	RWE 01C	RWE 01F	RWE 04	RWE 05	RWE 06	RWE 08S	RWE 08



# Solar Skylight

## RWS



The most advanced skylights in the Keylite range. Our solar powered skylights deliver push button remote control operation using the power of the sun. The built in solar panel powers an integrated battery enabling around the clock operation of our solar skylights.

### Features

- Hand held remote control for the skylight's opening.
- Rain sensor closes the skylight automatically.
- Inbuilt solar panel and battery.
- Bright white interior finish, painted timber frame and sash.
- Weather proof, grey exterior aluminium capping.
- Energy efficient glazing and unique thermal collar.
- Flick-fit brackets for easy installation.
- Streamlined low profile appearance in the roof.
- Flashing included for tile.
- Removable Flyscreen as standard.



**MAXIMISE DAYLIGHT & NATURAL VENTILATION**



### Remote Control System

- Programmable remote can control a single or multiple skylights.



### Blind Option

- Solar powered blinds range.
- Stainless steel mesh for areas prone to bush fires.



Size Code	01S	02	01C	01F	04	05	06	08S	08
Size WxH (mm)	550x700	550x980	550x1180	550x1400	780x980	780x1180	780x1400	1140x700	1140x1180
RWS	RWS 01S	RWS 02	RWS 01C	RWS 01F	RWS 04	RWS 05	RWS 06	RWS 08S	RWS 08



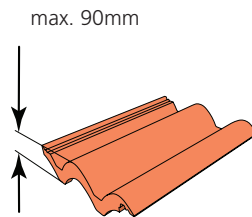
# Skylight Flashings & Accessories

**Keylite Flashing Kits are the most efficient way to ensure a watertight installation for your windows and have been designed to integrate efficiently with specific roofing materials.**

The installer friendly instructions ensure easy first time fitting. The unique one-piece bottom apron design improves aesthetic finish and allows for easy installation.

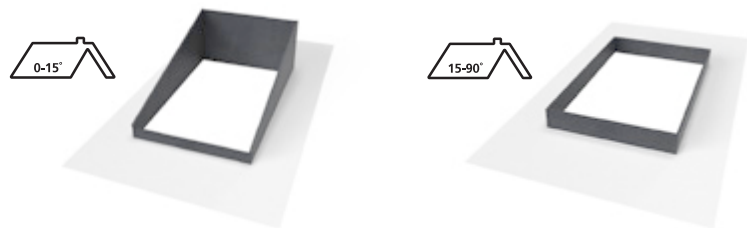
## Deep Tile: ATRF

- **Roof Pitch 15° – 90°**
- **Material Profile – Max 90mm**
- Flashing for single window installation into flat or profiled interlocking tiles. Also suitable for interlocking slate and profiled sheeting.



## Corrugated Roof: KBC

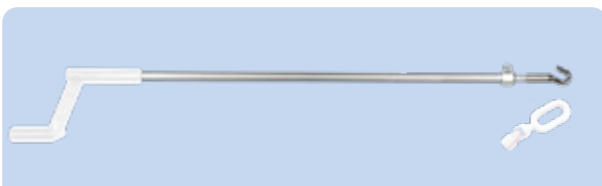
- **Roof Pitch 0° – 90°**
- Flashing for single window installation into profiled metal sheeting.
- Flashing to be installed in conjunction with an appropriate metal upstand.



Size Code	01S	01	02	01C	01F	04	05	06	08S	08
<b>Size WxH (mm)</b>	550x700	550x780	550x980	550x1180	550x1400	780x980	780x1180	780x1400	1140x700	1140x1180
<b>Deep Tile 90mm Profile</b>	<b>ATRF 01S</b>	<b>ATRF 01</b>	<b>ATRF 02</b>	<b>ATRF 01C</b>	<b>ATRF 01F</b>	<b>ATRF 04</b>	<b>ATRF 05</b>	<b>ATRF 06</b>	<b>ATRF 08S</b>	<b>ATRF 08</b>
<b>Corrugated 90mm Profile</b>	<b>KBC 550</b>			<b>KBC 780</b>			<b>KBC 1140</b>			

- For corrugated, metal deck and concrete roofs, a custom flashing can be provided by your Keylite distributor. For roof pitches above 15 degrees, flashings can be flat.

## Accessories



**Skylight Control Rod**

Manually control your window with a telescopic control rod. The control rod is available in 2m and 3m lengths.



**Stainless Steel Mesh**

A stainless steel mesh is available for additional protection within areas prone to bush fires.

# SOLAR BLINDS

Let the  
**SUN**  
do the work

**Powered by  
the sun**  
free energy

**Easy Fitting**  
no wiring,  
no electrician

**Controlled**  
by hand held  
remote



**3 Year  
Warranty**  
provided with  
Solar Blinds

## Innovative

- Our complete range of blinds are 100% solar powered.
- This innovative feature puts Keylite right at the forefront of blinds technology and is the simple answer to opening and closing blinds in areas difficult to access.

## Free Energy

- The solar blind is controlled with a hand held remote control.
- The solar panel is located in the cassette and collects energy from the sun which then provides a trickle charge to the battery.

## Easy Install

- The installation process does not involve wiring or tracking the walls for mains electric, for ease of fitting.
- The battery pack, the motor for powering the blind, and the roller for holding the blind fabric are contained in a cassette secured to the top of the window sash.

# Solar Blinds

## Blackout | Dimout



### Features

- Our complete range of blinds are available with remote control solar operation.
- Our solar blinds are ideal for those out of reach positions.
- Roller cover prevents fading of coloured fabrics.

- Available in blackout
  - Available in dimout
- Dimout and coloured blinds are special order.

### ESSENTIALS Neutral tones to complement most interior spaces



Classic White • Antique Cream • Fossil Grey • Twilight

### DECOR Stylish colours for unique interiors

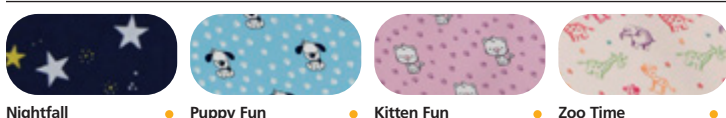


### AQUA Moisture resistant PVC fabrics



White • Beige • Grey • Black

### KIDS Vibrant patterns for fun interiors



Nightfall • Puppy Fun • Kitten Fun • Zoo Time



# Loft Ladders

KYL

3  
Year  
Warranty

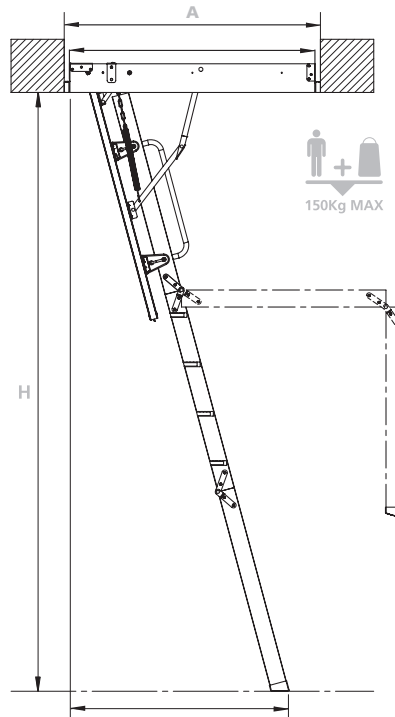
**The Keylite Loft Ladder is designed to ensure simple, fast installation.**

With pre-installed Flick-Fit brackets, allowing installation from below the loft, and with a unique detachable ladder which enables a one-person installation, the Keylite Loft Ladder is designed to make your life easier.

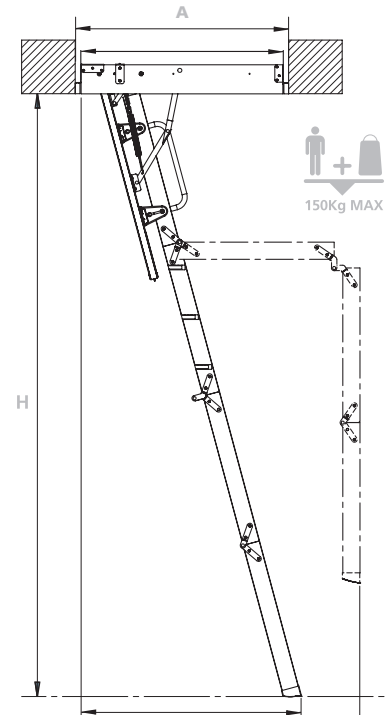
## Features

- Flick-Fit installation - Pre-installed brackets for installation from below.
- Continuous seal around trapdoor reduces heat loss.
- Pre-fitted handrail as standard.
- White 36mm thick insulated trapdoor, with U-Value of 1.1W/(m<sup>2</sup>.K) as standard\*
- Unique detachable ladder enables a one person install.
- Recessed locking system.
- Slip-resistant treads.
- Dovetail joints on all treads.
- Scratch resistant protective feet.
- All Keylite loft ladders are draught proof and have obtained the highest air tightness classification possible, Class 4.

## 3 Segment Loft Ladder



## 4 Segment Loft Ladder



## Quick Fit Features



- The pre-installed Flick-Fit brackets allow for the ladder to be easily held in place when raising it up to the roof opening.



- The detachable ladder design means that the entire installation can be completed by one person.



- Scratch-resistant protective feet simply screw on to the bottom of the ladder to prevent any damage to the surface below.

	Product Code	KYL 02	KYL 03	KYL 08	KYL 09
<b>A</b>	<b>Ceiling opening dimension (mm)</b>	550x1200	550x1200	700x1200	700x1200
	<b>Number of ladder sections</b>	3	4	3	4
<b>H</b>	(mm)	2800	3200	2800	3200

# FAST-EASY

ONE PERSON INSTALLATION

**Continuous seal** around trapdoor reduces heat loss

**Flick-Fit Installation**  
Pre-installed brackets for installation from below



**Pre-fitted handrail** as standard

White 36mm thick insulated trapdoor, with U-Value of **1.1W/(m<sup>2</sup>.K)** as standard\*

Unique **detachable ladder** enables one person to install



**Recessed locking system**

**Slip-resistant treads**

**Scratch-resistant protective feet**



**Dovetail joints on all treads**



\*U-Value determined by calculation

# Size Range

All Keylite Skylights are available in a range of sizes. The matrix below can be used to view which sizes are available for fixed, manual, electric and solar powered skylights.

		Skylights		
		Window Width (mm)		
		550	780	1140
Window Height (mm)	700	01S		08S
	980	02	04	
	1180	01C	05	08
	1400	01F	06	

## Opening Options



All Keylite Skylights meet the following rigorous Australian Standards:



**AS1288**  
Glass in Buildings



**AS4285**  
Skylights



**AS3959**  
Bushfire Attack Level 40 (BAL 40)







## Keylite Australian Distribution

---

### **New South Wales**

Natural Lighting Products  
Sydney Sales Office  
Unit 15, 2-8 South Street  
Rydalmere  
NSW 2116

### **Queensland**

Natural Lighting Products  
Brisbane Sales Office  
Unit 12, 12-18 Ellerslie Road  
Meadowbrook  
Qld 4131

### **Victoria**

Natural Lighting Products  
Victorian Sales Office  
Unit 13, 556-598 Princes Hwy  
Noble Park  
Vic 3174

### **Western Australia**

Calidad Industries  
1/40 Inspiration Drive,  
Wangara  
WA 6065

Customer Service:  
**1300 SKYLIGHT**

Email:  
**[info@keyliteskylights.com.au](mailto:info@keyliteskylights.com.au)**

---

**[keyliteskylights.com.au](http://keyliteskylights.com.au)**

